

VOERE M2



User Manual

Caution:

Read the complete user manual before using the rifle. Your dealer will be happy to answer any questions you may have. Ensure you are completely familiar with its operation before putting it into service. We offer technical instruction courses for law enforcement customers.

Table of contents

1	General safety rules:	4
1.1.1	General Safety Rules in the Handling of Guns	4
1.1.2	Unload your gun	5
2	User manual	6
2.1	Disassembly	7
2.1.1	Removing the bolt.....	7
2.1.1	Unlock the bolt (3-position safety)	7
2.1.2	Unlock bolt lock (cocking safety)	7
2.1.3	Swapping the bolt head	7
2.1.4	Magazine	8
2.1.5	Removal of the pistol grip	8
2.1.6	Removal of the barrel	8
2.1.7	Removal of the stock	9
2.1.8	Removal of the monopod.....	9
2.2	Assembly	10
2.2.1	Assemble bolt (cocking safety)	10
2.2.2	Assemble bolt (3-position safety)	10
2.2.3	Assemble barrel and action	11
2.2.4	Calibre change, identifying calibre	12
2.2.5	Assembly stock to action	12
2.2.6	Mount scope base on Picatinny rail	12
2.2.7	Install scope in scope mount	13
2.2.8	Load magazine	14
2.3	Function	15
2.3.1	3-position safety	15
2.3.2	Optional safety: cocking safety with bolt lock.....	16
2.3.3	Ambidextrous side safety.....	18
2.3.4	Loading, shooting and repeating	18
2.3.5	Unloading	18

2.3.6	Folding stock	19
2.3.7	Muzzle brake	20
2.4	Implementing adjustments.....	21
2.4.1	Trigger	21
2.4.2	Back-up iron sights (on option)	21
3	Care and maintenance	22
3.1	Care	22
3.1.1	Barrel.....	22
3.1.2	Metal parts.....	22
3.1.3	Stock.....	22
3.1.4	Optics	22
3.2	Maintenance	23
3.3	Technical training course.....	23
4	Technical information	24
4.1.1	Explosion view.....	25
4.1.2	Spare parts list M2.....	26
4.1.3	Calibre group chart	28
4.2	Measurements	29
4.2.1	Length.....	29
4.2.2	Weight	29
4.2.3	Magazine capacity.....	29
4.2.4	Bag	30
4.2.5	Two stage trigger.....	30
4.2.6	5-round magazine.....	30
4.2.7	Mirage band.....	30
5	Guarantee Conditions	31
5.1.1	Manufacturer's Guarantee	31

1 General safety rules:

Your VOERE M2 precision rifle differs from other bolt-action rifles in the special features of its construction.

Always bear in mind the need for care in handling weapons as well as the legal requirements.

First check that you have the right User Manual: the model number and the calibre are marked on the barrel.

1.1.1 General Safety Rules in the Handling of Guns

- Ensure that the gun and ammunition never fall into unauthorized hands.
- Always store the gun and ammunition separately, under lock and key, away from unauthorized access.
- Observe the applicable legal regulations for the storage and use of guns and ammunition.
- Familiarise yourself thoroughly with the operation of your gun and practice all adjustments and functions with an unloaded gun before using it.
- Regard every rifle as loaded and cocked, unless you have established the contrary by opening the bolt and examining the magazine, chamber and barrel. An unloaded gun should be handled like a loaded gun.
- Always point the muzzle in a safe direction where is no danger to people or property.
- Before loading ensure that the barrel is free, and thereafter make certain that no foreign bodies (e.g. Water, snow, ice, earth) can get in.
- Only use undamaged CIP certified ammunition, with clearly the right calibre for the rifle. Faultily reloaded ammunition can damage your gun and lead to serious injuries.
- Only load your weapon directly before its use.
- Cock your rifle (or release the safety catch) only when you are ready to fire. When cocking (releasing the safety catch) keep the barrel pointing in a safe direction.
- Before each shot check the area in front of and behind your target.

- Only point your gun towards a target that you have clearly recognised.
- Only put your finger on the trigger when you intend to fire.
- If a cartridge does not fire, wait 60 seconds before opening the bolt, in order to avoid the danger of a delayed ignition.
- When shooting, you, and people in the area, should wear ear protection (earplugs) and suitable shooting goggles.

1.1.2 **Unload your gun**

- Before crossing obstacles
- Before climbing up to, or down from a raised hide
- Before entering a building
- Before entering a vehicle
- Before entering an inhabited area
- and also when you temporarily put the gun down or hand it

2 User manual

WARNING:

Your VOERE M2 features a switch barrel system. When changing the calibre, always make sure you are using the right barrel, blot head and magazine. Always make sure the rifle is unloaded and that the magazine is not inserted into the rifle.



2.1 Disassembly

2.1.1 Removing the bolt



Take out the bolt by turning the bolt handle 60°, pull it to the rear while pressing the bolt stop release on the left (in any case, before the bolt is in its rearmost position). The bolt can now be easily removed from the action. To replace the bolt in the action, ensure it is centred and introduce it with a slight turn to the right.

Do not use any force!

In case you have chosen the option bolt lock please consider that the bolt lock itself has to be unlocked before opening.

2.1.1 Unlock the bolt (3-position safety)

In order to unlock the bolt lock, bring the safety lever in the middle position. (see: 3.2.1)

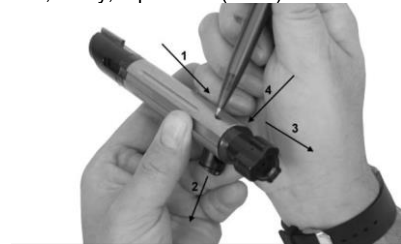
2.1.2 Unlock bolt lock (cocking safety)

To open the bolt lock in a safe position the cocking knob has to be pressed a few millimetres forwards, the chamber has to be opened at the same time. Now it is released and safe. Please always consider the relevant safety instructions.

In a safe position the bolt assembly can be opened at any time.

2.1.3 Swapping the bolt head

Remove the bolt from the action. (see: 2.1.1) Take the bolt assembly and remove the cross bolt by pressing with your finger nail, a key, a pencil... (1 + 2).



Now the bolt head can be removed forwards without any problems (3). A new bolt head can be put on the same way. Ensure that both flat areas fit together (4). Fix the bolt assembly by inserting the cross bolt.



2.1.4 Magazine



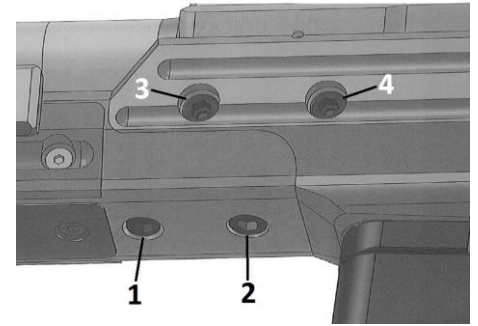
On pressing the magazine latch from both sides simultaneously the magazine will fall out. To install the magazine push it straight upwards until the magazine latches snap in.

2.1.5 Removal of the pistol grip



The pistol grip can be removed by opening the (SW 5) screw inside of the pistol grip.

2.1.6 Removal of the barrel



Loosen the two Torx screws (T25) on the bottom side of the action. Watch for the correct sequence as shown in the illustration above! Then open the screws on the left side of the action. Once the screws are loosened the barrel can be pulled out of the action.

2.1.7 Removal of the stock



The stock can be detached by removing the pistol grip (see: **Fehler! Verweisquelle konnte nicht gefunden werden.**) and unscrewing the screw (SW 6) at the joint between action and stock. See illustration above.

2.1.8 Removal of the monopod



Remove the cheek piece in order to remove the stock by unscrewing the cheek piece lock screw. Right on top of the monopod you find a cover held in place by 4 screws. Unscrew these screws and remove the cover. Underneath the cover you find two more screws. Unscrew these screws as well and you can pull off the monopod. Some force is required to do so because the monopod is also held in place by four pins.

A cover is available in case the monopod shall be removed permanently.

2.2 Assembly

2.2.1 Assemble bolt (cocking safety)



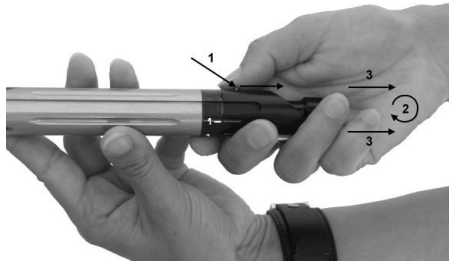
The bolt was removed with the safety in middle position (see: 2.3.1).

In the process the bolt shroud /firing is set at position 2 (see figures 1 and 2 on the bottom of your bolt).

At the top face of the bolt shroud you have to pull back the little protruding pin. This allows you to turn the bolt shroud to No. 1 position and pulling off the bolt to the front.

When a cocking safety is installed you simultaneously have to press the cocking knob in order to disassemble the bolt

WARNING: Do not turn the bolt shroud in the other direction. This would bring the firing pin in the forward (fired) position. In this case excessive force is required to bring the firing pin into cocked position.



Re-assemble in reverse order. Introduce the firing pin into the bolt body. Marking has to be in position 1. Now press the cocking handle heavily until it touches the bolt body and turn the bolt sleeve into position 2 to finish reassembling.

In case bolt sleeve cannot be introduced as Described, it can be necessary to touch the bolt body the operation wheel probably has to be moved slightly and the re-assembly procedure repeated.

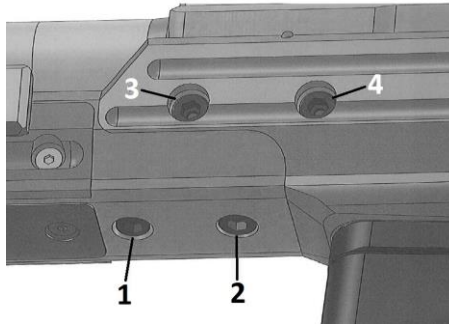
2.2.2 Assemble bolt (3-position safety)

Assembling and disassembling the bolt with 3-position safety works the same way as the cocking safety. Keep in mind the safety has to be in middle position during this process!

2.2.3 Assemble barrel and action



Introduce the barrel (1) into the action (2) from the front with all four barrel locking screws opened and the bolt not installed. Mind that the index notch alignment on the barrel extension is pointing upwards in the right direction. Once the barrel is in rearmost position, insert the bolt to ensure the correct insertion of the barrel.



Tighten the Torx screws (T25) in sequence 3 / 4 with 10 Nm. Once these two screws are tightened, tighten the bottom screws with 10 Nm in sequence 1 / 2.

ATTENTION:

Mind the bolt is removed when installing the barrel. Also mind that bolt head, barrel and magazine fit your calibre.

2.2.4 Calibre change, identifying calibre

Pay attention that the calibre of barrel, bolt head and magazine fit together. You can identify the calibre of your barrel on its labelling. The magazines calibre(s) are labelled on the right side of the magazine. The bolt heads size is engraved on the bolt head e.g. ST (Standard), MG (Magnum). Use calibre group chart (see: **Fehler! Verweisquelle konnte nicht gefunden werden.**).

2.2.5 Assembly stock to action

Insert stock into the action, avoid jamming! Tighten screws with Torx wrench (T25). The screw heads must not protrude out of the action. Screw on stock with Torx wrench (T30) and pistol grip with Allen wrench (SW 5). Insert the bolt into the action as follows:



Slide in bolt, while pushing the bolt catch with your left hand. Now you should be able to slide the bolt forward until it can be closed by lowering the bolt head 60°. Only now, with the bolt being lowered 60° the bolt is closed. In case this is not possible check correct assembly of bolt, stock and magazine and that the barrel is installed correctly.

Do not use force!

2.2.6 Mount scope base on Picatinny rail



Your M2 comes with a Mil Std. 1913 (Picatinny-rail), which is either available without tilt or with (20, 30 or 40 Moa) tilt.

In order to make use of the large adjusting range of modern scopes of 36 mrad (124 MOA, or 360 cm / 100 m) for long range shooting it is necessary to mount the scope tilted.

Ideally the tilt of your mount should be half or less of the adjusting range of the scope used (max. 3 mrad, or ca. 10 MOA less).

Thus VOERE offers Picatinny mounts in a variety of tilts (0/20/35/50 MOA).

Place the scope mount with the loosened screws on the Picatinny rail, with the screw heads protruding at the left side of the mount in firing direction. Make sure before tightening the screws (SW 4) the scope mounts recoil lug has contact with the Picatinny rail on the face side to prevent it from sliding forward under recoil when firing. Then tighten the screws from front to back with 5 Nm according to the instruction on the Picatinny base.

2.2.7 Install scope in scope mount

Please follow following points in order to get the best performance in terms of precision and recoil durability.

1.) Fix your rifle in a vice exactly horizontally by placing a mechanic's level on the Picatinny rail.

2.) Install scope mount according to description
Fehler! Verweisquelle konnte nicht gefunden werden..

3.) Remove upper part of the scope mount rings. Check horizontal alignment of the scope mount by placing the mechanic's level on the mount (an aberration of up to 2° can be tolerated).

4.) Place scope in the mount so that the turret is arranged right in between the rings. Note that the scope mount has some initial tension in order hold the scope firmly in place when installed.

5.) Place upper ring parts and hand-tighten 4 Torx screws (T 20) in a way that the clearance between upper and lower rings is about the same on each ring and side.

6.) At this point you will note that it is hard to roll the scope in the mount along its longitudinal axis.

7.) Place a perpendicular in a distance of 5-6 m in front of the scope and align the vertical line of your scopes Reticle parallel to the perpendicular.

8.) Start to slightly tighten the screws on your scope rings crosswise while controlling the alignment of your scope with the perpendicular. (Tighten screws evenly!).

9.) Fully tighten screws by using a torque wrench with 2.5 Nm.

10.) Check the uniformity of the clearance between upper and lower ring on the scope mount.

11.) The scope is mounted successfully when the Reticle is still aligned to the perpendicular. Check eye relief of your scope (depending on make and model 60 – 90 mm). Change position of scope if necessary according to the procedure described in **Fehler! Verweisquelle konnte nicht gefunden werden..**

Note: it is not necessary to use any kind of glue during this operation.

2.2.8 Load magazine



Make sure that the magazine corresponds to the calibre chosen. The calibre is marked on the magazine. The magazine is placed in the magazine slot. Ensure that the magazine latches.



With calibres such as 9,3 x 62 and 8,5x63 Reb it is important that the cartridge rim is pressed into the groove at the rear end of the magazine and so the base of the round abuts the rear of the magazine. If the round is not so located, the gun may well jam. The easiest way is to push the rounds into the magazine from the front. Then press lightly down on the cartridge head, and push it right to the back until the rim can be fed into the groove of the magazine.

2.3 Function

2.3.1 3-position safety

The safety mechanism of the LBW M2 is based on the principle of the secured firing pin. The M2 features a 3 – position safety. When operating the bolt the rifle gets cocked or remains cocked respectively.

WARNING:

Do not touch trigger when manipulating the safety!

2.3.1.1 Safe position

With the safety lever in rearmost position (two white dots visible) the rifle is in safe position and also secured against opening.



2.3.1.2 Middle position

Push the safety lever with thumb and index finger into the middle position (one white dot visible)

Now the rifle is in safe position and the bolt can be opened. Unload your rifle with the safety in this position only.



2.3.1.3 Firing position

Push safety lever forward towards the bolt handle (one red dot visible) to set the rifle in firing position. In this position the safety lever points towards the bolt grip.



ATTENTION:
Please not the safety regulations!

2.3.1.4 Open bolt

The rifle can be opened in safe condition with the safety lever in middle position (one white dot visible) and in firing condition (one red dot visible).

ATTENTION:
Please check that the safety snapped into place and is not in an interim position.

2.3.2 Optional safety: cocking safety with bolt lock



The VOERE M2's safety system is based on the uncompressed firing pin spring. The cocking knob applies compression to the firing pin spring shortly before the shot; for repeated shots it remains compressed. With the safety off, the chamber grip is locked against unintended opening of the action while the weapon is carried, if this option was selected at purchase time.

2.3.2.1 Cocking (firing position)



Place your thumb in the indentation of the cocking knob, press forward hard until it engages.

2.3.2.2 De-cocking (safe position)

With the thumb in the indentation of the cocking knob, press forwards hard until it disengages. Releasing the safety exposes a red spot at the top of the cocking knob.

2.3.2.3 Opening the bolt (with optional bolt lock)



To open the bolt assembly in safe position the cocking knob has to be pressed a few millimetres forwards, the bolt can be opened at the same time. Now the firing pin spring is released and safe. Please consider the relevant safety instructions. In a cocked position the bolt assembly can be opened at any time.

2.3.3 Ambidextrous side safety



The optionally available ambidextrous side safety works on the principle of the secured sear. In upwards position (white "S" visible) the trigger is in safe position. In lower position (Red "F" visible) the trigger is in firing position. The bolt can be opened in both positions.

ATTENTION:

Small objects could prevent the safety from engaging in safe or firing position. Always pay close attention that the safety is fully engaged in its position.

2.3.4 Loading, shooting and repeating

Introduce the full magazine into the gun from below. Ensure that the magazine catch engages with the magazine. If the gun is equipped with a bolt lock, press the cocking knob a few millimetres forwards, so that the chamber can be opened, and a round from the magazine loaded into the chamber. The gun is now loaded, but not cocked and thus safe.

Cocking should occur shortly before firing by forward pressure on the cocking knob. When the gun is cocked, repeated fire or unloading is possible at any time. When filling the magazine care must be taken that 9,3x62 or 8,5x63 rounds are positioned with their base at the back of the magazine. (see: 2.2.7)

ATTENTION:

Point your rifle in a safe direction when loading and unloading! Load your rifle by grasping the bolt grip firmly and cycling the bolt in one single movement. Note that it is important that the bolt stays in the rearmost position for a shot moment in order to allow the magazine spring to push the next cartridge upwards.

2.3.5 Unloading

Pay attention that the gun is fully unloaded after use. Do not only remove the magazine, but operate the action and make a visual check that the chamber is empty. If necessary in the dark, check with a finger. In this way accidents can be avoided. Press the knob with the thumb gently 1-2 mm forwards, while operating the side lever, and then release the knob. This releases the tension and activates the safety.

ATTENTION:

As long as the cocking knob is in the forward, firing position, the cocking piece of the rifle tensions itself automatically with every repeated shot. When shooting is complete, the cocking handle should be released immediately (safety on).

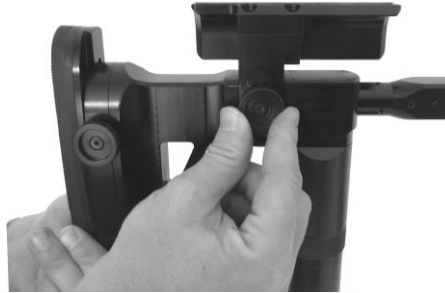
2.3.6 Folding stock

2.3.6.1 Fold stock



Press button to fold the stock as shown in illustration above to fold the stock. The stock locks in folded and unfolded position.

2.3.6.2 Length and height adjustment



The height of cheek piece and recoil pad can be adjusted via adjustment screws on cheek piece and recoil pad.

2.3.6.3 Stock conversion for left handed shooters

In order to convert the stock for left handed shooters unscrews the cheek piece adjusting screw completely. Note that this screw has a fine pitch thread and both walls of the stock are threaded, thus many turns are necessary to remove the screw completely.

2.3.6.4 Length adjustment



Press button underneath the stock to adjust length. The stock is adjustable in four notches. Use scale on the top side to remember your length

2.3.6.5 Monopod



The Monopod has a quick adjustment button on the lower left side.



Right above this button you find a knurl for fine adjustment of the monopod. You can fine adjust the Monopod with your support hand in shooting position.

2.3.7 Muzzle brake



An 11mm rail to accept the back-up iron sight is attached to the muzzle brake. When not used, a mirage band can be hooked into the back-up iron sights retaining screw.

At the muzzle you find an 18x1 left-hand thread to accept B&T SD-121162 silencers. Check silencer for fixed position every ten rounds fired.

WARNING:

Depending on your cadence and calibre your silencer can get very hot after only a few rounds fired. Do not check silencer for fixed position with bare hands. Use heat protection gauntlets!

2.4 Implementing adjustments

2.4.1 Trigger

Your VOERE M2 comes with a single stage trigger. The trigger pull is adjusted as light as possible to what still is considered safe by international norm.

Adjusting the trigger must only be done by VOERE authorised personnel to avoid accidents.

Your VOERE M2 is available with a two-stage trigger on option.

2.4.2 Back-up iron sights (on option)

Your M2 can be fitted with back up iron sights. The front sight is to be mounted on the 11mm rail on the muzzle brake and the rear sight on the Picatinny rail.



3 Care and maintenance

Only use products for gun care which are intended for this purpose.

3.1 Care

3.1.1 Barrel

Oil barrel including chamber after firing, before long term storage and after carrying your rifle, especially in wet or humid conditions. Remove oil before firing! We recommend using chemical cleaning to remove residue, especially when firing high power cartridges such as 228 Lapua Magnum or Solid bullets. We also recommend to clean the barrel every five rounds fired for the first 250 rounds in order to get the maximum accuracy and longevity out of your firearm.

ATTENTION:
Follow instructions of gun care products in order to achieve best results and avoid injury or damage on your rifle or optics!

3.1.2 Metal parts

Keep metal parts slightly oiled.

3.1.3 Stock

Wooden stocks are oil finished. We recommend regular and frequent care with commercial gun stock care products.

3.1.4 Optics

Maintenance and cleaning are to be executed according to optics maintenance instructions.

3.2 Maintenance

The rifle should be checked in continuous intervals by trained personnel especially by law enforcement users.

ATTENTION:

Maintenance of you firearm must be done by trained personnel only!

3.3 Technical training course

VOERE offers a 2 days training course for law enforcement users. In this course technical details and required maintenance are explained in-depth.

This course is designated for personnel with professional firearms qualification.

4.1.1 Explosion view



4.1.2 Spare parts list M2

2003-06-A031 5-rnd magazine 6,5x47 Lapua
2003-06-A033 5-rnd magazine 223 Rem.

Barrel - M2 2009-01

Quantity	Number	Item
	2009-01-0001	Barrel - Match 308 Win.
	2009-01-0002	Barrel - Match 338 Lapua Mag.
	2009-01-0003	Barrel - Match 300 Win. Mag.
	2009-01-0004	Barrel - Match 6,5 x 47 Lapua
	2009-01-0005	Barrel - Match 223 Rem.
	2009-01-0006	Barrel - Silencer
	2009-01-0007	Compensator - Match
	2009-01-0008	Screw - Silencer
	2009-01-0009	Cover for muzzle brake
	2009-01-0010	Counter nut f. muzzle brake

Bolt - M2 2009-03

Quantity	Number	Item
	2009-03-0001	Tactical Bolt grip bended
	2009-03-0002	Knob f. bolt grip
	2009-03-0003	Tactical Bolt grip straight
	2009-03-0004	Short knob f. bolt grip
	2009-03-0005	Ball f. Bolt grip
	2009-03-0006	Bolt shroud 3-position safety
	2009-03-0007	Lever 3-position safety
	2009-03-0008	firing pin lug 3-pos. safety
	2009-03-0009	Case 3-position safety
	2009-03-0010	False bolt M2

Magazine - M2 2003-06

Quantity	Number	Item
	2003-06-A021	5-rnd magazine 308 Win.
	2003-06-A026	4-rnd magazine 300 Win. Mag.
	2003-06-A027	5-rnd magazine 338 Lapua Mag.
	2003-06-A029	4-rnd magazine 7,5x55

Back-up iron sight – M2 2009-10

Quantity	Number	Item
	2009-10-0001	Sight base
	2009-10-0002	Sight base clamp
	2009-10-0003	Base - Sight
	2009-10-0004	Peep sight
	2009-10-0005	Peep sight- Silencer
	2009-10-0006	Guidance
	2009-10-0007	Height adjustment screw
	2009-10-0008	Side adjustment screw
	2009-10-0009	Front sight base
	2009-10-0010	Front sight
	2009-10-0011	Front sight base - Silencer
	2009-10-0012	Front sight - Silencer

Stock – M2 2009-05

Quantity	Number	Item
	2009-05-A001	Folding stock complete
	2009-05-A002	Fixed stock complete
	2009-05-B016	Sand bag rest
	2009-05-B004	Grip PSG
	2009-05-B013	adaptable grip
	2009-05-B002	Forend without cage
	2009-05-B001	Front cage (Picatinny)
	2009-05-B015	Forend extension
	2009-05-B007	Stock body
	2009-05-B010	Cheekpiece adjustable
	2009-05-B006	Joint f. folding stock right
	2009-05-B005	Connection f. fixed stock
	2009-05-0056	Winter trigger guard

Monopod – M2 2009-12

Quantity	Number	Item
	2009-12-A001	Monopod complete
	2009-12-0007	Dish

Receiver - LBW 2009-02

Quantity	Number	Item
	2009-02-0002	Receiver-M2
	2009-02-0003	Receiver-M2 Lapua

Bolt head - LBW 2003-03

Quantity	Number	Item
	2003-03-A003	Bolt head complete - MI
	2003-03-A004	Bolt head complete – ST
	2003-03-A007	Bolt head complete – MG
	2003-03-A008	Bolt head complete – UM
	2003-03-A020	Extractor complete - MI
	2003-03-A021	Extractor complete – ST
	2003-03-A023	Extractor complete – MG
	2003-03-A024	Extractor complete – UM
	2003-03-0009	Extractor spring
	2003-03-0010	Ejector plug
	2003-03-0012	Ejector spring

Extractor - LBW 2003-03

Quantity	Number	Item
	2003-03-A020	Extractor complete - MI
	2003-03-A021	Extractor complete – ST
	2003-03-A023	Extractor complete – MG
	2003-03-A024	Extractor complete – UM
	2003-03-0009	Extractor spring
	2003-03-0010	Ejector plug
	2003-03-0012	Ejector spring

Scope mount – Picatinny

Quantity	Number	Item
	WZZFWE-11-A030	0 MOA 8,5mm high steel
	WZZFWE-11-A031	10 MOA 8,5mm high
	WZZFWE-11-A034	20 MOA 8,5mm high
	WZZFWE-11-A035	30 MOA 8,5mm high
	WZZFWE-11-A036	40 MOA 8,5mm high
	WZZFWE-11-A032	0 MOA 11,5mm high
	WZZFWE-11-B001	Top Mount Ø 30mm 0 MOA
	WZZFWE-11-B002	Top Mount Ø 30mm 20 MOA
	WZZFWE-11-B003	Top Mount Ø 30mm 35 MOA
	WZZFWE-11-B010	Top Mount Ø 34mm 0 MOA
	WZZFWE-11-B011	Top Mount Ø 34mm 20 MOA
	WZZFWE-11-B012	Top Mount Ø 34mm 45 MOA
	WZZFWE-11-B022	Top Mount Ø 36mm 50 MOA

4.1.3 Calibre group chart

Calibre	Twist rate	Barrel length	Magazine capacity	Magazine number	Bolt head
223 Rem.	1:9"	20"	5	1	MI
260 Rem.	1:9"	26"	5	3	ST
6,5x47 Lapua	1:8"	26"	5	15	ST
6,5x55	1:8,5"	26"	5	5	ST
300 Whisper	1:8"	12"	5	25	MI
7mm-08 Rem.	1:9,5"	26"	5	5	ST
308 Win.	1:12"	26"	5	5	ST
7,5x55 Swiss	1:11"	26"	4	5	CH
300 Win. Mag.	1:10"	26"	4	9	MG
338 Lapua Mag.	1:16" - 1:10" progressive	27"	5	17	UM

Please note that the calibre list is subject to constant changes and extension!

4.2 Measurements

4.2.1 Length

The overall length depends on the stock and barrel chosen. It varies between max. 128 cm with 27" barrel with muzzle brake. In this configuration the overall length reduces to 100 cm with stock folded.

The barrel length is shown in the calibre group chart (see: 4.1.3). Other barrel lengths, and twist rates are available on request.

4.2.2 Weight

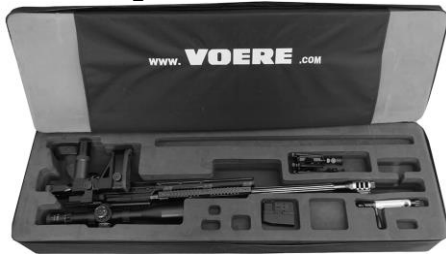
The weight also depends on the stock variant and barrel chosen. In the previous mentioned configuration the rifle weights 6.8kg incl. muzzle brake, bipod and 5 round magazines.

4.2.3 Magazine capacity

The magazine capacity depends on your local laws as well as the calibre chosen.

Options

4.2.4 Bag



The rifle is offered with a variety of bags and cases.

4.2.5 Two stage trigger

Your M2 comes with a single stage trigger adjusted by the factory. Alternatively a two stage trigger is available as well. Trigger installation must be done by VOERE authorised personnel only!

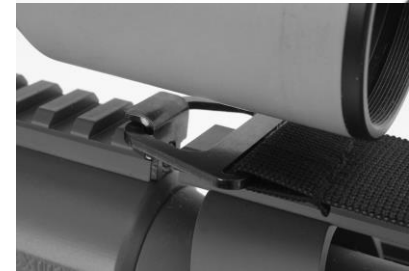
4.2.6 5-round magazine



5 round magazines are available on option.

4.2.7 Mirage band

Mirage bands are available on request. It is installed on a blade at the Picatinny rail and the screw head on the muzzle brake as shown on the pictures below.



5 Guarantee Conditions

5.1.1 Manufacturer's Guarantee

The VOERE manufacturer's guarantee is in addition to the dealer's legal obligations, provided that the supplied gun form is returned completed to VOERE within ten days of purchase. The guarantee is only valid for the first owner, who lives in the land of purchase. The guarantee applies only to the metal and plastic parts of the gun and to original Voere telescopic sight mounts, but not to the optics of the sight. Wooden parts of the gun require special care, and, as a product of nature, undergo natural changes. A guarantee for wooden parts is excluded. The guarantee covers all defects and damage of the gun (metal and plastic parts) that can be shown to be due to material or production defects. In this connection the manufacturer accepts the costs for materials and labour. For the carrying out of work under the guarantee the gun should be delivered to an authorised dealer or the production company in Kufstein. The customer bears the risks and costs for the transport of the gun. Work under the guarantee may involve repair or replacement of faulty parts, according to the choice of the manufacturer, with replaced parts becoming the property of the manufacturer. The accuracy of a gun is dependent on many factors. The most important factor is the ammunition. Not every

barrel shoots as well with every sort of ammunition; there may be significant differences in performance. The sights and their mounting is equally important. Parallax, Reticle loose, defective or misadjusted and faulty mounting are the most common causes of unsatisfactory shooting performance. Ammunition of the same make and the same processing can vary in shooting performance and impact position from batch to batch and from gun to gun. With optimally chosen selected ammunition, sights and mounting we guarantee and excellent shooting performance for our weapons. Complaints about the shooting performance must be made in writing within 20 days of the purchase date. We reserve the right to give the gun to an independent institute for checking. Should a superb shooting performance be confirmed there, we have the right to reclaim the associated costs from the customer.

Extent of the guarantee

Work under the guarantee neither extends nor renews the guarantee period, neither for the gun nor the parts replaced. The guarantee Period for the parts replaced ends with the guarantee period for the whole gun.

The guarantee does not apply to:

Normal wear and tear, damage due to no observance of the user manual or safety regulations, improper use or treatment and if the gun shows signs of mechanical damage. Damage due to acts of God or environmental influences.

Repairs, work on or modifications to the gun by unauthorised workshops or other people. Use of reloaded or not CIP approved ammunition. The guarantee does not apply to sights and telescopic sight mountings from manufacturers other than VOERE. Further or other claims, in particular those for compensation for damage apart from the gun (consequential damage) are – insofar as liability is not rigorously legally specified –excluded.

Notes: